



BRASS VALVES AND CONTROL CENTERS

Tapped Check Valves/Control Center

- Finished valve body and poppet assembly are cast from red brass.
- Abrasion resistant O-ring is precision fitted to the poppet for a positive seal into the tapered self-cleaning valve seat.
- Check valve has Delrin® guide bearing for the poppet stem, assures smooth, noise-free valve operation.
- Corrosion resistant materials - stainless steel spring, red brass castings, stainless steel lock nut.
- Can be used in both vertical and horizontal positions.
- Well Pro red brass check valves are individually cartoned.

Single Tap Check Valves (Red Brass)

Order No.	UPC Bar Code (Qty. 1)	Pipe Size	Dia. Inches	Length Inches	Tapping On Inlet	Qty.	Approx. Wt. / Lbs.
WCVT1001	6 42367 08579 7	1"	1.75	3.25	1/8"	1	0.98
WCVT1251	6 42367 08580 3	1-1/4"	2.25	3.87	1/8"	1	1.27

One 1/8" NPT Tapping on Inlet Side
Custom tapping available upon request

Double Tap Check Valves

Order No.	UPC Bar Code (Qty. 1)	Pipe Size	Material	Dia. In.	Length Inches	Tap Inlet	Tap Outlet	Qty.	Approx. Wt./Lbs.
WCVT1002	6 42367 08581 0	1"	RB	1.75	3.25	1/8"	1/4"	1	0.95
WCVRT1002	6 42367 08582 7	1"	Brass	1.87	3.25	1/8"	1/4"	1	0.91
WCVT1252	6 42367 08583 4	1-1/4"	RB	2.25	3.87	1/8"	1/4"	1	1.27
WCVRT1252	6 42367 08584 1	1-1/4"	Brass	2.18	3.87	1/8"	1/4"	1	1.20
WCVT1502	6 42367 08585 8	1-1/2"	RB	2.50	4.25	1/8"	1/4"	1	1.79
WCVT2002	6 42367 08586 5	2"	RB	3.12	5.00	1/8"	1/4"	1	2.79

One Tapping on Inlet - One Tapping on Outlet
Custom tapping available upon request

Control Center Check Valves (Red Brass)

Order No.	UPC Bar Code (Qty. 1)	Pipe Size	Dia. Inches	Length Inches	Tapping Inlet	Tapping Outlet	Ctn. Qty.	Approx. Wt./Lbs.
WCVT1003	6 42367 08587 2	1"	1.75	3.25	1/8"	1/8" & 1/4"	1	1.02
WCVT1253	6 42367 08588 9	1-1/4"	2.25	3.87	1/8"	1/8" & 1/4"	1	1.38
WCVC100	6 42367 08589 6	1"	1.75	3.25	1/8"	1/8" & (2) 1/4"	1	0.98
WCVC125	6 42367 08590 2	1-1/4"	2.25	3.75	1/8"	1/8" & (2) 1/4"	1	1.47

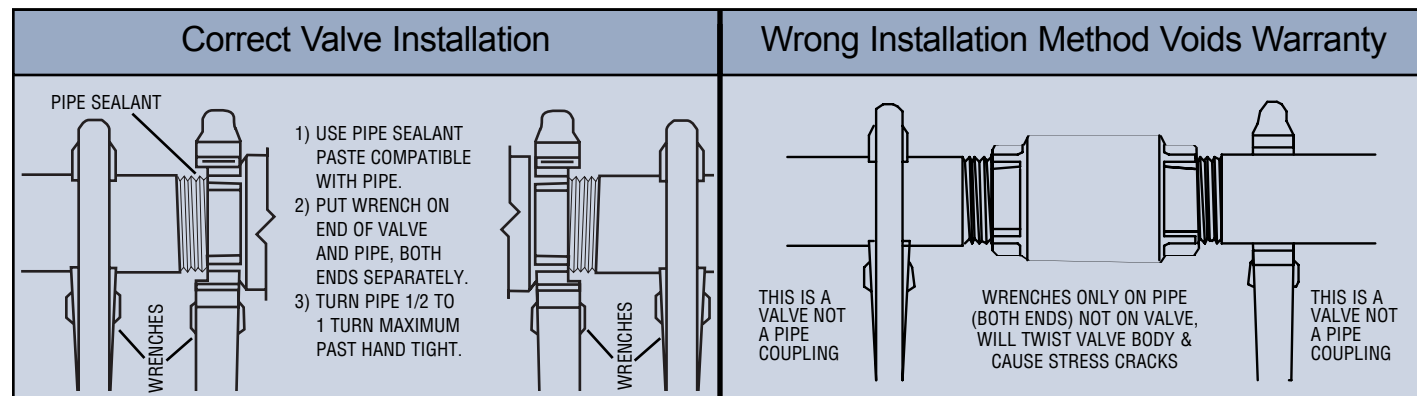
Three or Four Tappings
Inlet Side - One 1/8"
Outlet Side - One 1/8" and One or Two 1/4"
Custom tapping available upon request



Single Tap Double Tap Control Center



Control Center with Pressure Gauge, Brass Nipple, Pressure Switch, Air Valve and Pipe Plug.



All Well Pro check valves and foot valves, water, oil or gas, working pressure 200 PSI, maximum operating temperature 190°F (87°C).



The Water Well Products used by PROFESSIONALS



"Quality You Need and The Price You Want"



CONTACT INFO:

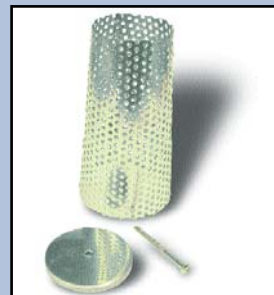
Main/International:(712) 732-7354
U.S. and Iowa:(877) 888-7059
Fax:(712) 732-7568
Fax:(800) 269-3569

Brass Check & Foot Valves

- Valve body and poppet assembly are cast brass.
- Abrasion resistant O-ring is precision fitted to the poppet for a positive seal into the tapered self-cleaning valve seat.
- Check valve has Delrin® guide bearing for the poppet stem, assures smooth, noise-free valve operation.
- Corrosion resistant materials - stainless steel spring, brass castings, stainless steel lock nut.
- Can be used in both vertical and horizontal positions.
- Well Pro brass foot and check valves are individually cartoned.



Check Valve Foot Valve



Stainless Steel Strainer, End Cap and Screw for WFV and WFVR Foot Valves

Every Well Pro Check Valve is Hand Tested.

By Air Pressure Underwater



Hand testing of every valve assures you of the dependability and quality you expect from Well Pro.

Quality Valves 600 Series

600 Series Brass Check Valves¹

Order No.	UPC Bar Code (Qty. 1)	Pipe Size	Diameter Inches	Length Inches	Qty.	Approx. Wt./Lbs.
WCVR50	6 42367 07833 1	1/2"	1.25	2.50	1	0.44
WCVR75	6 42367 07384 8	3/4"	1.50	2.88	1	0.56
WCVR100	6 42367 07835 5	1"	1.87	3.25	1	0.79
WCVR125	6 42367 07836 2	1-1/4"	2.18	3.87	1	1.26
WCVR150	6 42367 07837 9	1-1/2"	2.44	4.25	1	1.48
WCVR200	6 42367 07838 6	2"	3.12	5.00	1	2.70
WCVR300	6 42367 08554 4	3"	4.25	7.25	1	8.36

610 Series Brass Foot Valves

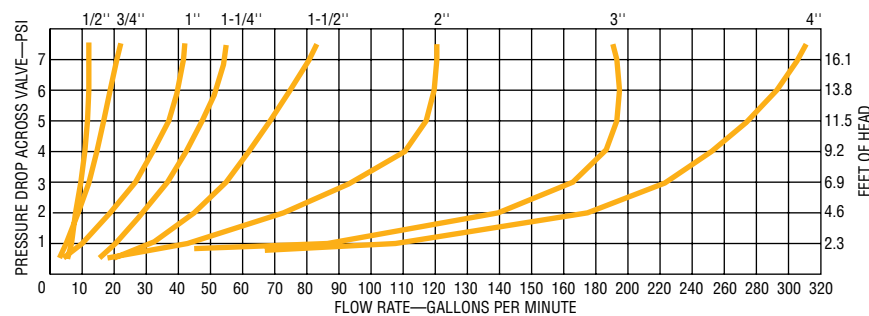
Order No.	UPC Bar Code (Qty. 1)	Pipe Size	Enters Pipe	Length Inches	Qty.	Approx. Wt. / Lbs.
WFVR50	6 42367 07839 3	1/2"	1-1/4"	3.75	1	0.32
WFVR75	6 42367 07840 9	3/4"	1-1/2"	3.75	1	0.42
WFVR100	6 42367 07841 6	1"	2"	5.00	1	0.64
WFVR125	6 42367 07842 3	1-1/4"	2-1/2"	5.20	1	0.99
WFVR150	6 42367 07843 0	1-1/2"	3"	6.37	1	1.47
WFVR200	6 42367 07844 7	2"	3-1/2"	7.00	1	2.22

Stainless Steel Strainer, End Cap and Screw for WFV (810 Series) and WFVR (610 Series) Foot Valves.

Order No.	UPC Bar Code (Qty. 1)	Foot Valve Size	Top O.D.	Length	Bottom O.D.	Approx. Wt. / Lbs.
WFVSC50	6 42367 11462 6	1/2"	0.90	2.00	0.94	0.023
WFVSC75	6 42367 11463 3	3/4"	0.90	2.00	1.10	0.025
WFVSC100	6 42367 11464 0	1"	1.05	3.00	1.40	0.044
WFVSC125	6 42367 11465 7	1-1/4"	1.30	3.25	1.70	0.063
WFVSC150	6 42367 11466 4	1-1/2"	1.60	3.87	2.00	0.069
WFVSC200	6 42367 11467 1	2"	2.00	4.75	2.60	0.125
WFVSC300	6 42367 11468 8	3"	3.35	5.50	3.85	0.800
WFVSC400	6 42367 11469 5	4"	4.50	8.75	5.00	0.150

Note: Stainless Steel Spring for WCV, WCVR, WFV and WFVR Valves.
Order No. WCVSP50 - 1/2", WCVSP75 - 3/4", WCVSP100 - 1", WCVSP125 - 1-1/4", WCVSP150 - 1-1/2" and WCVSP200 - 2".

Pressure Loss - Well Pro 800 & 600 Series Check Valves



¹ NOTE: Well Pro 800 Series and 600 Series Check Valves are rated for a maximum weight of 300 lbs. in tension (down pull).

NO - SPIN Poppet 800 Series

800 Series Red Brass Check Valves¹

Order No.	UPC Bar Code (Qty. 1)	Pipe Size	Dia. Inches	Length Inches	Qty.	Approx. Wt./Lbs.
WCV50	6 42367 08555 1	1/2"	1.25	2.50	1	0.51
WCV75	6 42367 08556 8	3/4"	1.43	2.87	1	0.57
WCV100	6 42367 08557 5	1"	1.75	3.25	1	0.86
WCV125	6 42367 08558 2	1-1/4"	2.25	3.87	1	1.28
WCV150	6 42367 08559 9	1-1/2"	2.50	4.25	1	1.65
WCV200	6 42367 08560 5	2"	3.12	5.00	1	2.89
WCV300	6 42367 08561 2	3"	4.00	7.50	1	8.44
WCV400	6 42367 08562 9	4"	5.25	10.50	1	17.23
WCVMXL100	6 42367 11829 7	1"	1.63	4.25	1	1.50
WCVMXL125	6 42367 11830 3	1-1/4"	2.00	4.63	1	2.00
+ WCVXLD100	6 42367 11831 0	1"	1.75	3.70	1	1.10
+ WCVXLD125	6 42367 11832 7	1-1/4"	2.25	4.30	1	1.50

• Male x Female
+ Extra Long Body at Discharge

810 Series Red Brass Foot Valves

Order No.	UPC Bar Code (Qty. 1)	Pipe Size	Enters Pipe	Length Inches	Qty.	Approx. Wt./Lbs.
WFV50	6 42367 08563 6	1/2"	1-1/4"	3.75	1	0.32
WFV75	6 42367 08564 3	3/4"	1-1/2"	3.75	1	0.46
WFV100	6 42367 08565 0	1"	2"	5.00	1	0.65
WFV100125	6 42367 08566 7	1" & 1-1/4"	2"	4.75	1	0.62
WFV125	6 42367 08567 4	1-1/4"	2-1/2"	5.50	1	0.97
WFV1251	6 42367 08568 1	1-1/4"	2"	5.32	1	0.88
(1-15/16" Dia.) Stainless Steel Strainer						
WFV150	6 42367 08569 8	1-1/2"	3"	6.37	1	1.49
WFV200	6 42367 08570 4	2"	3-1/2"	7.00	1	2.31
WFV300	6 42367 08571 1	3"	5"	9.75	1	7.06
WFV400	6 42367 08572 8	4"	—	14.00	1	13.33

900 Series Red Brass Heavy Duty (Drop Pipe) Check Valves

Order No.	UPC Bar Code (Qty. 1)	Pipe Size	Dia. Inches	Length Inches	Qty.	Approx. Wt./Lbs.
WCVHD100	6 42367 08573 5	1"	1.95	3.25	1	1.12
WCVHD125	6 42367 08574 2	1-1/4"	2.45	3.87	1	1.67

A valve designed to hold weight in a down pull installation such as drop pipe inside a well.

Submersible Check Valves

Order No.	UPC Bar Code (Qty. 1)	Material	Dia. In.	Length Inches	Female Thread	Male Thread	Qty.	Approx. Wt./Lbs.
WCV100	6 42367 08575 9	Red Brass	1.75	3.25	1"	1"	1	0.94
WCV125	6 42367 08576 6	Red Brass	1.75	3.38	1"	1-1/4"	1	0.90
WCV1252	6 42367 08577 3	Red Brass	2.25	3.88	1-1/4"	1-1/4"	1	1.39
WCVMR100	6 42367 08578 0	Brass	1.75	3.25	1"	1"	1	0.80

• Red Brass finished body • Female Threads x Male Threads

¹ NOTE: Well Pro 800 Series and 600 Series Check Valves are rated for a maximum weight of 300 lbs. in tension (down pull).

Red Brass Check & Foot Valves

- Finished valve body and poppet assembly are cast from red brass.
- Abrasion resistant O-ring is precision fitted to the poppet for a positive seal into the tapered self-cleaning valve seat.
- Check valve has Delrin® guide bearing for the poppet stem, assures smooth, noise-free valve operation.
- Corrosion resistant materials - stainless steel spring, red brass castings, stainless steel lock nut.
- Can be used in both vertical and horizontal positions.
- Well Pro red brass foot and check valves are individually cartoned.



800 Series Check valve



800 Series Check valve (Male x Female)



900 Series Check valve



Submersible Check valve

BRASS
CHECK & FOOT VALVES



RED BRASS
CHECK & FOOT VALVES