



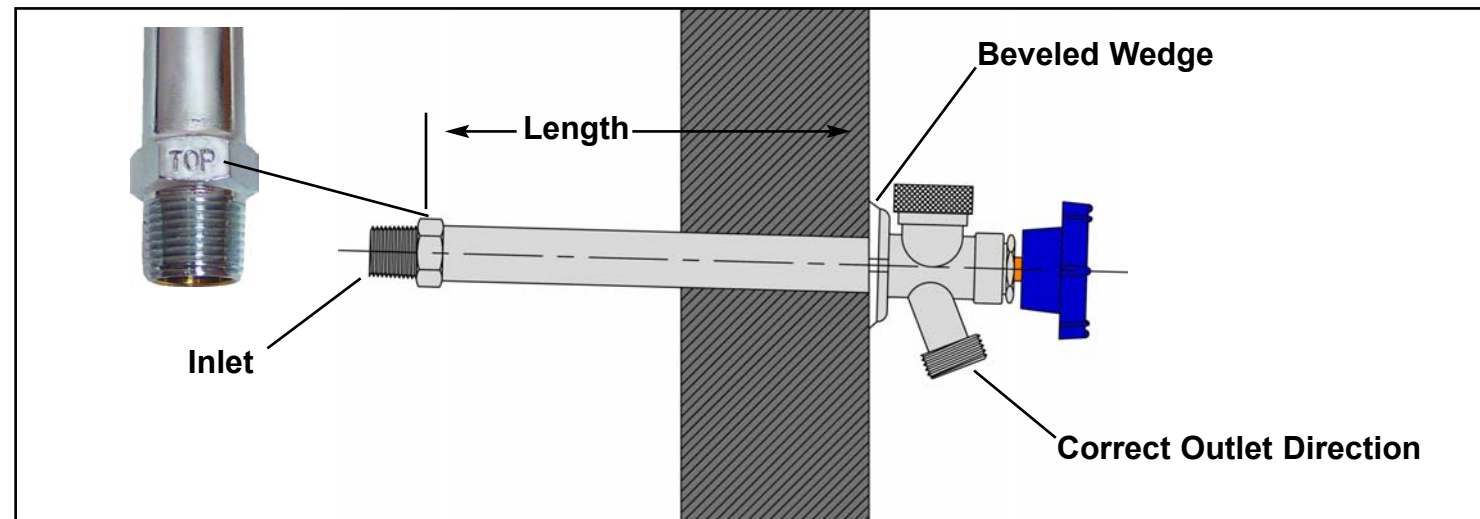
WMA Series & WMF Series FROST PROOF WALL FAUCETS

WMA Series & WMF Series Installation Instructions

Install wall faucet as shown using the Beveled Wedge supplied to achieve a downward slope.

NOTE: The wall faucet must be installed with downward slope from inlet to outlet and hose must be removed in freezing weather to allow faucet to drain—if not done wall faucet may freeze and be split by expanding ice, and warranty is voided.

(TOP) stamped into Wall Faucet Body makes installation easy—installer on inside can tell correct direction of outlet outside, by aligning (TOP) up on the inside.



Brass Vacuum Breakers

- Individually boxed.
- Std. 3/4" garden hose fitting thread.
- ASSE-IAPMO Code approved and marked.

Brass Vacuum Breaker Order Numbers

Order No.	UPC Bar Code (Qty. 1)	Size	Finish	Qty.	Approx. Wt./Lbs.
WBVBAD75	6 42367 08552 0	3/4" Hose	Brass Finish - Automatic Drain	1	0.3
WBVB75M	6 42367 08553 7	3/4" Hose	Brass Finish	1	0.2
WBVB75P	6 42367 11384 1	3/4" Hose	Chrome Plated	1	0.2



*The Water Well
Products
used by
PROFESSIONALS*



"Quality Construction - Chrome Plated and Competitively Priced"



CONTACT INFO:

Main/International:(712) 732-7354
U.S. and Iowa:(877) 888-7059
Fax:(712) 732-7568
Fax:(800) 269-3569



WMA Series

ANTI-SIPHON SELF-DRAINING Frost Proof Wall Faucet

Well Pro WMA Series of Frost Proof Wall Faucets provide frost proof water supply plus ANTI-SIPHON and SELF-DRAINING protection.

Code Approvals
 ASSE-1019A
 CSA
 UPC
 E.A

FEATURES/BENEFITS:

ADJUSTABLE PACKING NUT—with rubber packing, instead of asbestos packing used by other companies.

METAL HANDLE—for strength and long life.

END CONNECTION—allows easy installation and no need for oversized hole cut in wall.

TOP STAMPED—on inlet end of wall faucet, indicates outlet direction on outside of building when making connection on inside.

CHROME PLATED—for corrosion protection and better appearance for easy sales.

ANTI-SIPHON—dual safety with air check at both nozzle and shut-off end connection.

AUTOMATIC SELF-DRAINING—when shut off, wall faucet drains itself and open end hose due to air check above nozzle.

WMA Series Order Numbers

Order No.	UPC Bar Code (Qty. 1)	Length	Qty.	Approx. Wt./Lbs.
WMAD4	6 42367 10551 8	4"	1	1.2
WMAD6	6 42367 08534 6	6"	1	1.3
WMAD8	6 42367 08535 3	8"	1	1.4
WMAD10	6 42367 08536 0	10"	1	1.4
WMAD12	6 42367 08537 7	12"	1	1.5
WMAD14	6 42367 08538 4	14"	1	1.6
WMAT12	6 42367 08539 1	12"	1	1.6

ALL WALL FAUCETS ARE INDIVIDUALLY BOXED
 MODEL "D" END CONNECTION—1/2" MIP AND 1/2" COPPER SWEAT
 MODEL "T" END CONNECTION—3/4" MIP AND 1/2" FIP Double Thread

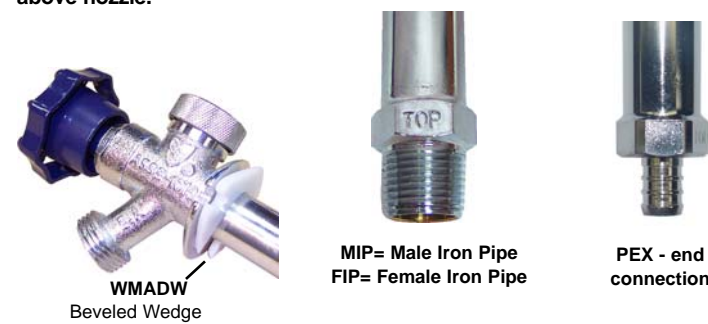
WMA Series Order Numbers

Order No.	UPC Bar Code (Qty. 1)	Length	Qty.	Approx. Wt./Lbs.
WMA P6	6 42367 11859 4	6"	1	1.2
WMA P8	6 42367 11860 0	8"	1	1.3
WMA P10	6 42367 11861 7	10"	1	1.4
WMA P12	6 42367 11862 4	12"	1	1.5
WMA P14	6 42367 11863 1	14"	1	1.5

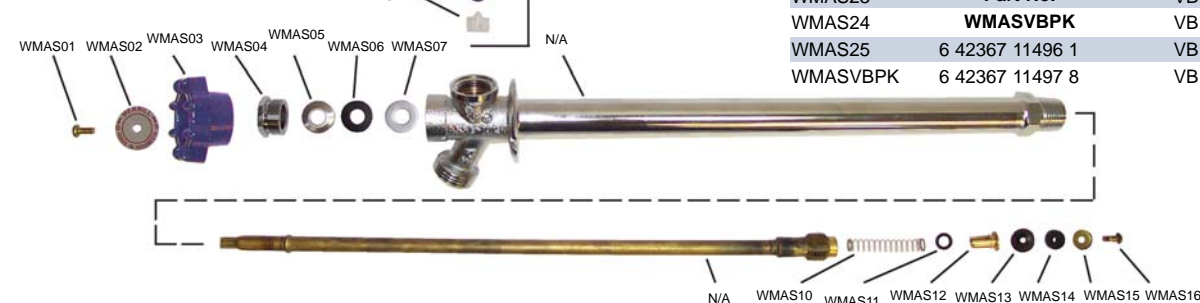
ALL WALL FAUCETS ARE INDIVIDUALLY BOXED
 MODEL "P" END CONNECTION—PEX FITTING

WMA Series Parts List

Order No.	UPC Bar Code (Qty. 1)	Description
WMADW	6 42367 11480 0	Beveled Wedge
WMAS01	6 42367 11481 7	Handle Screw
WMAS02	6 42367 11482 4	Handle Washer
WMAS03	6 42367 11483 1	Handle
WMAS04	6 42367 11484 8	Bonnet Nut
WMAS05	6 42367 11485 5	Packing Washer
WMAS06	6 42367 11486 2	Packing
WMAS07	6 42367 11487 9	Flat Washer
WMAS10	6 42367 11489 3	Spring
WMAS11	6 42367 11490 9	O-Ring
WMAS12	6 42367 11491 6	Brass Seat
WMAS13	6 42367 11492 3	Seat Packing
WMAS14	6 42367 11493 0	Seat Washer
WMAS15	6 42367 11494 7	Bibb Washer
WMAS16	6 42367 11495 4	Bibb Washer Screw
WMAS21	Sold as	VB Plunger
WMAS22	Assembly Only	VB Packing
WMAS23	Part No.	VB O-Ring
WMAS24	WMASVBPBK	VB Bonnet
WMAS25	6 42367 11496 1	VB Cap
WMASVBPBK	6 42367 11497 8	VB Assembly



NOTE: Wall faucet must be installed with downward slope from inlet to outlet to drain and hose must **not** have shutoff valve on end or must be removed, so faucet can drain completely.



WMA SERIES
WALL FAUCETS



WMF SERIES
WALL FAUCETS



WMF Series

SELF-DRAINING

Frost Proof Wall Faucet

Well Pro WMF Series of Frost Proof Wall Faucets provide frost proof water supply when installed through a house or building wall.

FEATURES/BENEFITS:

HEAVY-DUTY MODEL—extra heavy brass stem with stainless steel to back up packing washer.

ADJUSTABLE PACKING NUT—with rubber packing, instead of asbestos packing used by other companies.

METAL HANDLE—for strength and long life.

BEVELED WEDGE—included with each unit, for easy downward slope installation.

END CONNECTION—allows easy installation and no need for oversized hole cut in wall.

TOP STAMPED—on inlet end of wall faucet, indicates outlet direction on outside of building when making connection on inside.

CHROME PLATED—for corrosion protection and better appearance for easy sales.

WMF Series Order Numbers

Order No.	UPC Bar Code (Qty. 1)	Length	Qty.	Approx. Wt./Lbs.
WMFD6	6 42367 08541 4	6"	1	1.1
WMFD8	6 42367 08542 1	8"	1	1.2
WMFD10	6 42367 08543 8	10"	1	1.3
WMFD12	6 42367 08544 5	12"	1	1.4
WMFD14	6 42367 08545 2	14"	1	1.5
WMFT6	6 42367 08547 6	6"	1	1.2
WMFT8	6 42367 08548 3	8"	1	1.2
WMFT10	6 42367 08549 0	10"	1	1.3
WMFT12	6 42367 08550 6	12"	1	1.4
WMFT14	6 42367 08551 3	14"	1	1.5

ALL WALL FAUCETS ARE INDIVIDUALLY BOXED
 MODEL "D" END CONNECTION—1/2" MIP AND 1/2" COPPER SWEAT
 MODEL "T" END CONNECTION—3/4" MIP AND 1/2" FIP Double Thread
 MIP = Male Iron Pipe FIP = Female Iron Pipe

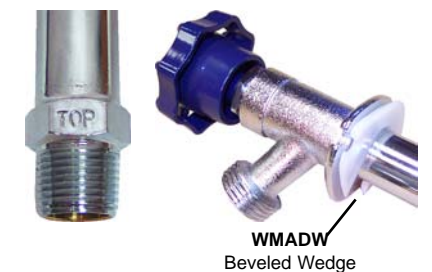
WMF Series Parts List

Order No.	UPC Bar Code (Qty. 1)	Description
WMADW	6 42367 11480 0	Beveled Wedge
WMAS01	6 42367 11481 7	Handle Screw
WMAS02	6 42367 11482 4	Handle Washer
WMAS03	6 42367 11483 1	Handle
WMAS04	6 42367 11484 8	Bonnet Nut
WMAS05	6 42367 11485 5	Packing Washer
WMAS06	6 42367 11486 2	Packing
WMAS07	6 42367 11487 9	Flat Washer
WMAS10	6 42367 11489 3	Spring
WMAS11	6 42367 11490 9	O-Ring
WMAS12	6 42367 11491 6	Brass Seat
WMAS13	6 42367 11492 3	Seat Packing
WMAS14	6 42367 11493 0	Seat Washer
WMAS15	6 42367 11494 7	Bibb Washer
WMAS16	6 42367 11495 4	Bibb Washer Screw

Model "D"
 End Connection—1/2" MIP and 1/2"
 Female Copper Sweat
Model "T"
 End Connection—3/4" MIP and 1/2" FIP
 Double Thread



Optional Brass Vacuum Breaker Available (See Back)



NOTE: Wall faucet must be installed with downward slope from inlet to outlet to drain and hose must **not** have shutoff valve on end or must be removed, so faucet can drain completely.

