

w w w . w e l l p r o . c o m

HIGH STRENGTH MALLEABLE IRON CHECK VALVES

**We
Pro**



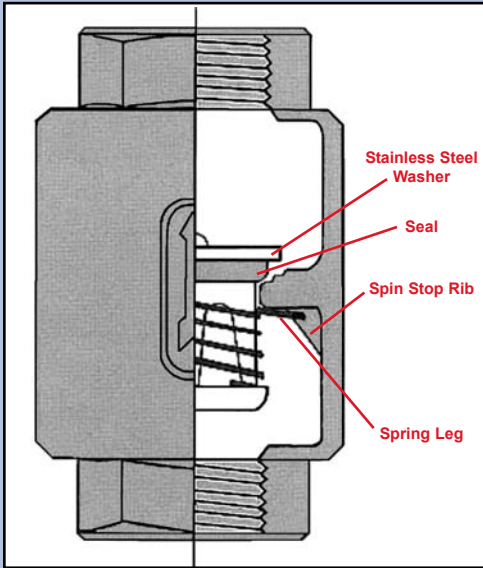
*The Water Well
Products
used by
PROFESSIONALS*

**We
Pro**

"The Quality You Need and The Price You Want"

MALLEABLE IRON CHECK VALVES

High Strength Malleable Iron Check Valves



WCVI125



WCVI1251



WCVI1252

Quality Benefits

- (1) No Spin Poppet Design For Demanding Installations.
- (2) Heavy/Thick Seal Disk For Years Of Service.
- (3) Seal Backed By 300 Series Stainless Steel Washer.
- (4) Stainless Steel Lock Nut And Bolt To Insure Reliability.
- (5) Stainless Steel Spring Does Not Allow Poppet To Spin.
- (6) Zinc Plated Body For Economy And Corrosion Resistance.
- (7) Heavier Wall Thickness Than Competitors.



-All Lead-Free Materials And Corrosion Resistant-

WELL PRO 500 Series High Strength Lead Free Check Valves

Order Number	UPC Bar Code (Qty. 1)	Pipe Size	Dia. Inches	Length Inches	Approx. Wt./Lbs.
WCVI100	6 42367 10354 5	1"	1.87	3.6	0.9
WCVI125	6 42367 10355 2	1-1/4"	2.25	4.2	1.6
WCVI150	6 42367 10356 9	1-1/2"	2.64	4.6	2.3
WCVI200	6 42367 10357 6	2"	3.02	5.3	2.9
* WCVIHD200	6 42367 10358 3	2"	3.02	5.3	3.3

* Heavy-Duty Plated Malleable Iron Poppet & Stainless Steel Spring & Washer

Single Tap Check Valves

One 1/8" NPT Tapping On Inlet Side

Order Number	UPC Bar Code (Qty. 1)	Pipe Size	Dia. Inches	Length Inches	Inlet Tapping	Approx. Wt./Lbs.
WCVIT1001	6 42367 10359 0	1"	1.87	3.6	1/8"	0.9
WCVIT1251	6 42367 10360 6	1-1/4"	2.25	4.2	1/8"	1.6
WCVIT1501	6 42367 10361 3	1-1/2"	2.64	4.6	1/8"	2.3
WCVIT2001	6 42367 10362 0	2"	3.02	5.3	1/8"	2.9
WCVIHDT2001	6 42367 10363 7	2"	3.02	5.3	1/8"	3.2

Double Tap Check Valves

One 1/8" NPT Tapping On Inlet Side - One 1/4" NPT On Outlet Side

Order Number	UPC Bar Code (Qty. 1)	Pipe Size	Dia. Inches	Length Inches	Inlet Tapping	Outlet Tapping	Approx. Wt./Lbs.
WCVIT1002	6 42367 10364 4	1"	1.87	3.6	1/8"	1/4"	0.9
WCVIT1252	6 42367 10365 1	1-1/4"	2.25	4.2	1/8"	1/4"	1.6
WCVIT1502	6 42367 10366 8	1-1/2"	2.64	4.6	1/8"	1/4"	2.3
WCVIT2002	6 42367 10367 5	2"	3.02	5.3	1/8"	1/4"	2.9
WCVIHDT2002	6 42367 10368 2	2"	3.02	5.3	1/8"	1/4"	3.2



	CONTACT INFO:	Main/International:	(712) 732-7354
		U.S. and Iowa:	(877) 888-7059
		Fax:	(712) 732-7568
		Fax:	(800) 269-3569

Copyright © 2006 WELL PRO FORM 5038.1 ISSUED 10/06