



PITLESS ADAPTERS

RED BRASS

IMPORT MODELS AND WELL PRO U.S.A. MADE MODELS

Quality Features and Benefits

Feature - Molded gasket for positive outside seal on discharge, plus O-ring or gasket glued in place, for seal on inside of casing.

Benefit - Glued gasket does not fall off during installation.

Feature - Solid brass collar made for perfect fit and positive seal with molded gasket between discharge and outside of casing.

Benefit - Insures sanitary watertight seal to casing.

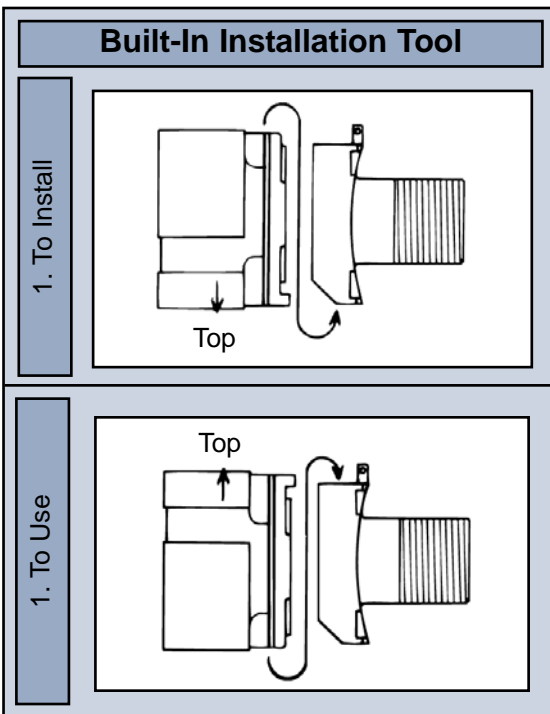
Feature - Extra-wide solid brass nut.

Benefit - To accommodate wrench for easier installation.


Red Brass Pitless Adapter Parts

| Model Number | Part Number | UPC Bar Code (Qty. 1) | Approx. Wt. / Lbs. |
|---------------|-------------|-----------------------|--------------------|
| Gasket | | | |
| WMB50 | MBG20 | 6 42367 01815 3 | .032 |
| WMB200 | MBG20 | 6 42367 01815 3 | .032 |
| WMB1100 | MBG20 | 6 42367 01815 3 | .032 |
| WMB225 | MBG12 | 6 42367 01814 6 | .060 |
| WMB1125 | MBG12 | 6 42367 01814 6 | .060 |
| WMB300 | MBG30 | 6 42367 10134 3 | .140 |
| WMB60 | MBG20 | 6 42367 01815 3 | .032 |
| WMB100 | MBG20 | 6 42367 01815 3 | .032 |
| WMB125 | MBG12 | 6 42367 01814 6 | .060 |
| WMHB100 | MBG20 | 6 42367 01815 3 | .032 |
| WMHB125 | MBG12 | 6 42367 01814 6 | .060 |
| WMHB300 | MHG30 | 6 42367 01897 9 | .086 |
| WMHB400 | MBFG12 | 6 42367 01809 2 | .064 |
| | MBFG10 | 6 42367 01808 5 | .064 |
| Collar | | | |
| WMB50 | MBC20 | 6 42367 01802 3 | .24 |
| WMB200 | MBC20 | 6 42367 01802 3 | .24 |
| WMB1100 | MBC10 | 6 42367 01800 9 | .22 |
| WMB225 | MBC22 | 6 42367 01803 0 | .34 |
| WMB1125 | MBC12 | 6 42367 01801 6 | .36 |
| WMB300 | MBC30 | 6 42367 04188 5 | 1.36 |
| WMB60 | MBC10 | 6 42367 01800 9 | .22 |
| WMB100 | MBC10 | 6 42367 01800 9 | .22 |
| WMB125 | MBC12 | 6 42367 01801 6 | .36 |
| WMHB100 | MHC10 | 6 42367 01887 0 | .67 |
| WMHB125 | MHC12 | 6 42367 01888 7 | .73 |
| WMHB300 | MHC30 | 6 42367 01889 4 | 1.20 |
| WMHB400 | MHC40 | 6 42367 01890 0 | 1.16 |
| Nut | | | |
| WMB50 | MBN50 | 6 42367 04677 4 | .17 |
| WMB200 | MBN20 | 6 42367 01823 8 | .23 |
| WMB1100 | MBN10 | 6 42367 04678 1 | .21 |
| WMB225 | MBN22 | 6 42367 01824 5 | .46 |
| WMB1125 | MBN12 | 6 42367 01822 1 | .48 |
| WMB300 | MBN30 | 6 42367 04189 2 | 1.10 |
| WMB60 | MBN60 | 6 42367 04206 6 | .20 |
| WMB100 | MBN10 | 6 42367 01821 4 | .23 |
| WMB125 | MBN12 | 6 42367 01822 1 | .48 |
| WMHB100 | MHN10 | 6 42367 01903 7 | .32 |
| WMHB125 | MHN12 | 6 42367 01904 4 | .52 |
| WMHB300 | MHN30 | 6 42367 01905 1 | .99 |
| WMHB400 | MHN12 | 6 42367 01904 4 | .52 |
| | MHN10 | 6 42367 01903 7 | .32 |

Note: For use with Concrete Tile - no outside thread models.
WMB100N (MBR10, MBF10N) WMB125N (MBR12, MBF12N)



Gasket MBG20 Collar MBC20 Nut MBN20



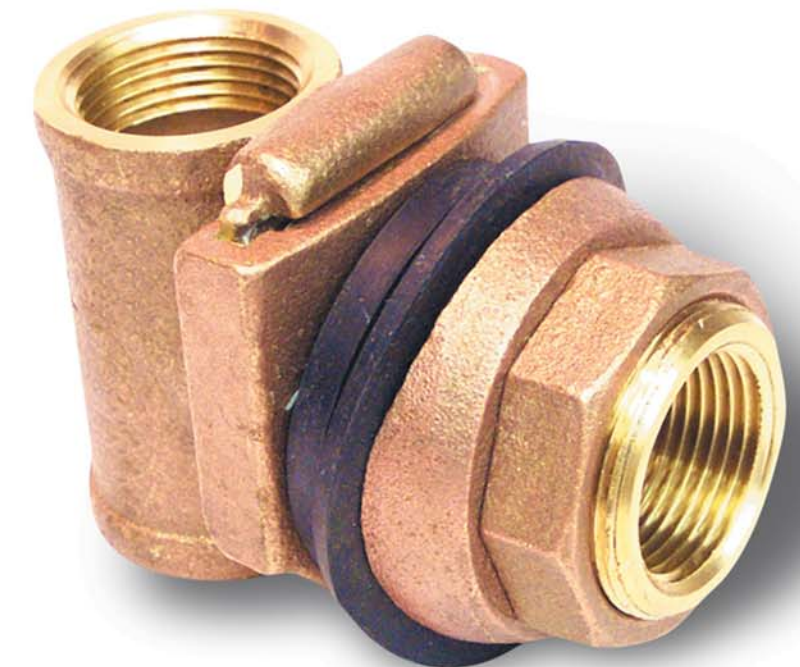
CONTACT INFO:

Main/International:(712) 732-7354

U.S. and Iowa:(877) 888-7059

Fax:(712) 732-7568

Fax:(800) 269-3569



The Water Well
Products
used by
PROFESSIONALS



"Complete Selection of Import and Domestic Models"



Red Brass Pitless Adapters Are Certified To Pass Water Systems Council Standard

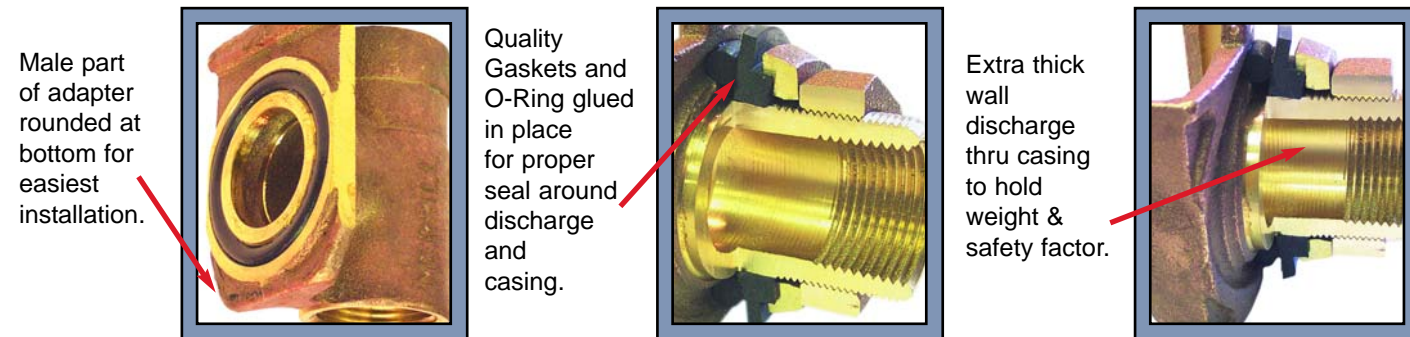


WATER SYSTEMS COUNCIL LISTED PAS-97 (04) PITLESS ADAPTER STANDARD * Made by Well Pro

Table with columns: Order No., UPC Bar Code (Qty. 1), Drop & Discharge, Discharge Length, Casing Sizes, Will Support, Hole Saw, Approx. Wt. / Lbs., Carton Qty., Model Series. Lists various adapter models and their specifications.

When properly installed, Well Pro PITLESS ADAPTERS will support a length of schedule 40 steel pipe full of water and pump indicated in table above. Other companies may claim more support - but have little or no safety factor. LM - Long Model

Well Pro Exclusive Quality



Red Brass Pitless Adapter Parts

Table listing parts for male and female adapters, including Model Number, Part Number, UPC Bar Code (Qty. 1), and Approx. Wt. / Lbs. for various sizes and configurations.

Note: For use with Concrete Tile - no outside thread models. WMB100N (MBR10, MBF10N) WMB125N (MBR12, MBF12N)



Quality Features & Benefits

Well Pro Brass Pitless Adapters have passed CERTIFIED WATERTIGHT STANDARDS PAS-1 established and regulated for the industry by the Pitless Adapter Division of Water Systems Council.

Feature - Bottom of male part of adapter is tapered. Benefit - Easy connection of female and male parts.

Feature - Top of female part is also tapered. Benefit - Tight connection and easy removal.

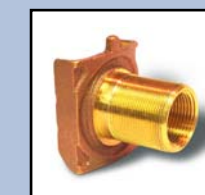
Feature - Replaceable O-ring seal in solid brass casting. Benefit - Easily replaced, not a seal from factory only.



Male Part MBM20



Male Part O-Ring OR326



Female Part MBF20



Female Part O-Ring MBFR20

RED BRASS PITLESS ADAPTER