



# WM-2000 SERIES

NO LEAD FROST PROOF YARD HYDRANTS

### Parts Kit "WPKMP" Contains

Qty.	Part Number	Order No. WPKMP	UPC Bar Code (Qty. 1)
1	G-35	6 42367 08769 2	
1	P-115		
1	A-250		



### Parts Kit "WPKPF" Contains

Qty.	Part Number	Order No. WPKPF	UPC Bar Code (Qty. 1)
1 Pair	G-20	6 42367 08043 3	
1	G-25		
1	G-30		
1	G-35		
1	P-115		



### WM-2000 Flow Rates

WATER SYSTEM PRESSURE	GALLONS PER MINUTE (GPM)					
	0	5	10	15	20	25
20 PSI	14 GPM @ 20 PSI					
30 PSI	15.5 GPM @ 30 PSI					
40 PSI	16.3 GPM @ 40 PSI					
60 PSI	18.8 GPM @ 60 PSI					
80 PSI	20.3 GPM @ 80 PSI					
100 PSI	22 GPM @ 100 PSI					

NOTE: Most common 1/2 hp submersible pump output is 10 GPM.

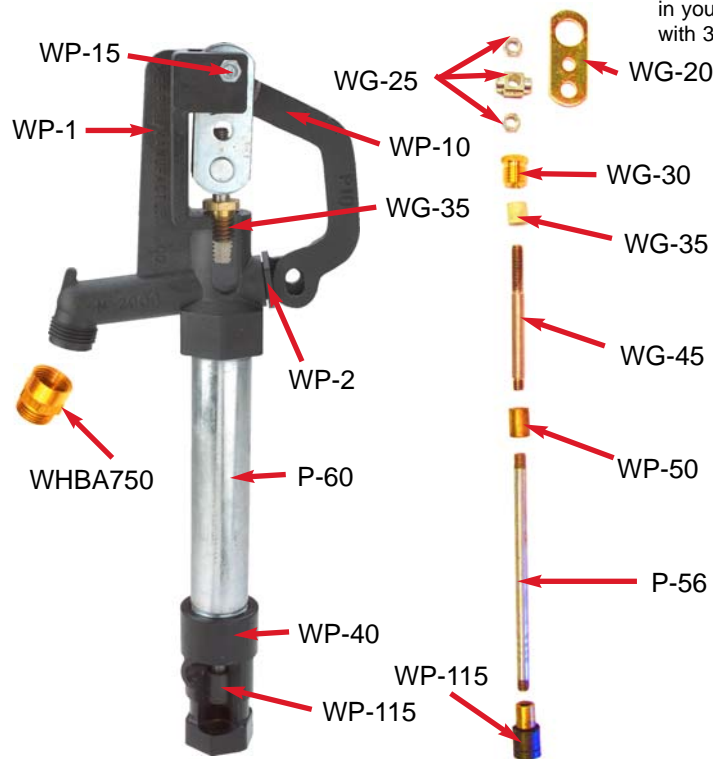
### Standard WM-2000 Series Hydrants (No-Lead)

Order Number	UPC Bar Code (Qty. 1)	Pipe Connection X Pipe Depth	Pipe Size	Overall Length	Approx. Wt./Lbs.
WMP7501	6 42367 08023 5	3/4" x 1' Bury	1" Galv.	44"	8.0
WMP75015	6 42367 08024 2	3/4" x 1-1/2' Bury	1" Galv.	50"	9.0
WMP7502	6 42367 08025 9	3/4" x 2' Bury	1" Galv.	56"	10.0
WMP7503	6 42367 08026 6	3/4" x 3' Bury	1" Galv.	68"	12.0
WMP7504	6 42367 08027 3	3/4" x 4' Bury	1" Galv.	80"	14.0
WMP7505	6 42367 08028 0	3/4" x 5' Bury	1" Galv.	92"	16.0
WMP7506	6 42367 08029 7	3/4" x 6' Bury	1" Galv.	104"	18.0
WMP7507	6 42367 08030 3	3/4" x 7' Bury	1" Galv.	116"	20.0
WMP7508	6 42367 08031 0	3/4" x 8' Bury	1" Galv.	128"	22.0
WMP7510	6 42367 08032 7	3/4" x 10' Bury	1" Galv.	152"	25.0

### WM-2000 Series Hydrants with Brass Hose Adapter

Order Number	UPC Bar Code (Qty. 1)	Pipe Connection X Pipe Depth	Pipe Size	Overall Length	Approx. Wt./Lbs.
WMP7501A	6 42367 08033 4	3/4" x 1' Bury	1" Galv.	44"	8.0
WMP75015A	6 42367 08034 1	3/4" x 1-1/2' Bury	1" Galv.	50"	9.0
WMP7502A	6 42367 08035 8	3/4" x 2' Bury	1" Galv.	56"	10.0
WMP7503A	6 42367 08036 5	3/4" x 3' Bury	1" Galv.	68"	12.0
WMP7504A	6 42367 08037 2	3/4" x 4' Bury	1" Galv.	80"	14.0
WMP7505A	6 42367 08038 9	3/4" x 5' Bury	1" Galv.	92"	16.0
WMP7506A	6 42367 08039 6	3/4" x 6' Bury	1" Galv.	104"	18.0
WMP7507A	6 42367 08040 2	3/4" x 7' Bury	1" Galv.	116"	20.0
WMP7508A	6 42367 08041 9	3/4" x 8' Bury	1" Galv.	128"	22.0
WMP7510A	6 42367 08042 6	3/4" x 10' Bury	1" Galv.	152"	25.0

NOTE: The length of hydrant you need depends on the depth the water lines are buried in your area. If water lines are buried 4' you need the WMP7504 - 4' bury below ground with 32" above ground or 6' - 8" long.



### Parts List

Part Number	UPC Bar Code (Qty. 1)	Part Description
WP-1	6 42367 11360 5	Head
WP-2	6 42367 11361 2	Head Plug
WHBA750	6 42367 08637 4	Brass Hose Adapter (optional)
WP-10	6 42367 09403 4	Lever Casting
WP-15	6 42367 11362 9	Lever Bolt & Nut
WG-20	6 42367 11363 6	Draw Straps (Per Pair)
WG-25	6 42367 11364 3	Pivot Connector & Nuts
WG-30	6 42367 11365 0	Packing Nut
WG-35	6 42367 11366 7	Valve Stem Packing
WP-40	6 42367 11009 3	Valve Body
WG-45	6 42367 11367 4	Stainless Steel Rod
WP-50	6 42367 11368 1	Steel Connector
P-60		1" Galvanized Pipe
P-56		3/8" Operating Rod
WP-115	6 42367 11008 6	Plunger
WP-120	6 42367 11369 8	Head Assembly Parts No. WP-1, 2, 10, 15, 50 and No. WG-20, 25, 30, 35, 45
A-250	6 42367 07720 4	Container of Silicone Lube

CONTACT INFO:

Main/International: .....(712) 732-7354  
 U.S. and Iowa: .....(877) 888-7059  
 Fax: .....(712) 732-7568  
 Fax: .....(800) 269-3569



The Water Well Products used by PROFESSIONALS



"The Best of Both Worlds - Quality and Price"

## Quality Features

The WM-2000 Series Yard Hydrant gives year 'round water service that drains below the frost line when shut off.

### Hydrants available with optional Red Brass Hydrant Ells and Tees.

Include number (i.e. WRBHE75) after Order No.

WRBHE75	3/4" NPT x 3/4" Plastic Pipe Elbow
WRBHE100	3/4" NPT x 1" Plastic Pipe Elbow
WRBHT75	3/4" NPT x 3/4" Plastic Pipe Tee
WRBHT7510	3/4" NPT x 1" Plastic Pipe Tee



### Hydrants available with optional Brass Vacuum Breakers

ASSE-IAPMO Code approved and marked

WBVBAD75	3/4" Hose - Brass Finish AUTOMATIC DRAIN
WBVB75M	3/4" Hose - Brass Finish MANUAL DRAIN
WBVB75P	3/4" Hose - Chrome Plated MANUAL DRAIN



WBVBAD75 WBVB75M WBVB75P

## Specifications

Inlet: 3/4" NPT  
 Outlet: 3/4" Brass Hose Thread  
 Stainless Steel Operating Rod  
 Teflon Packing  
 Zytel® ST Supertough Nylon Head  
 Celcon® Valve Body  
 1" Galvanized Pipe  
 Molded Rubber Plunger made of Self-Lubricating Material

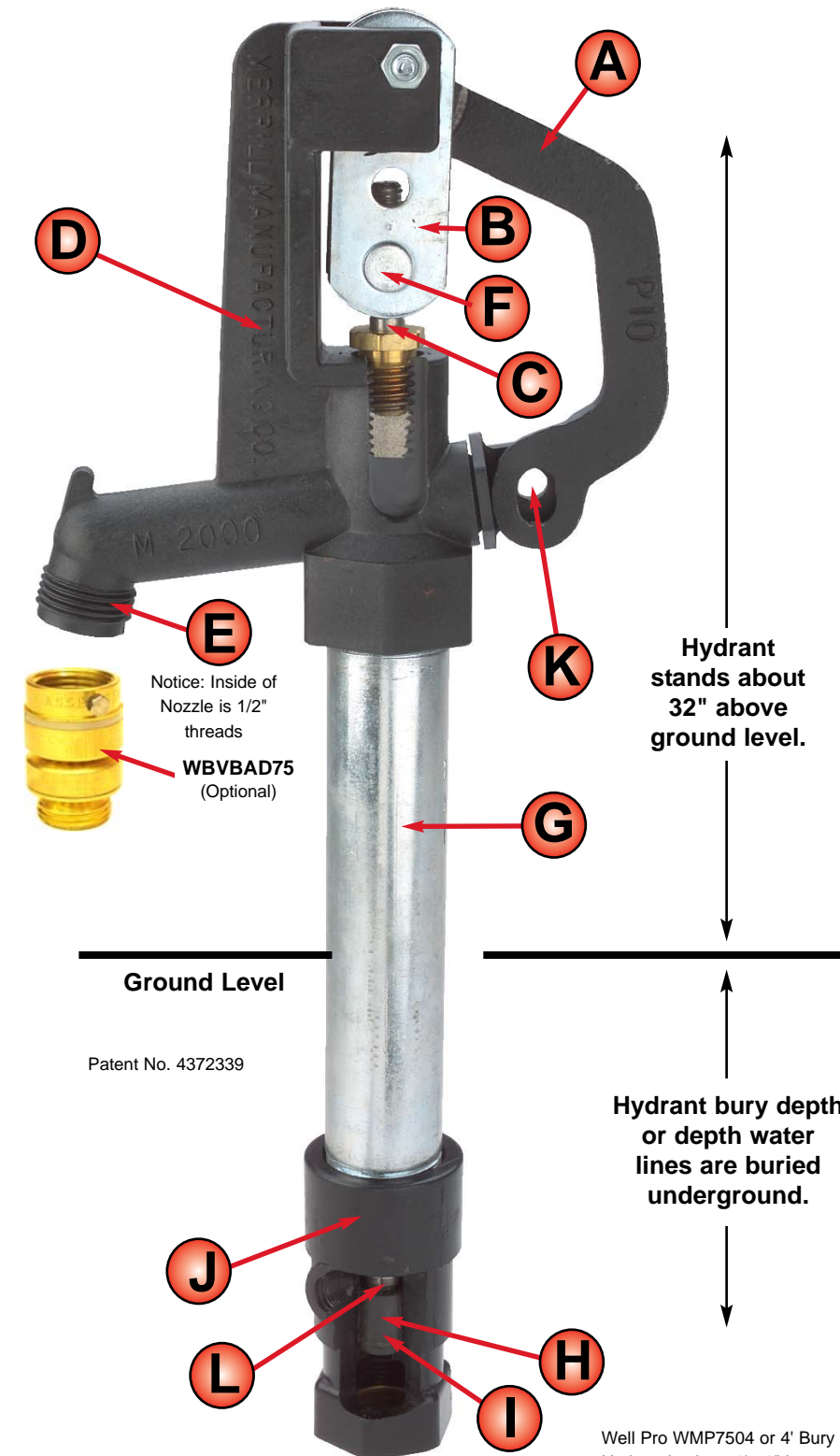
## Features and Benefits

Since 1981

- A** **Lever Control\*** operates by cam principle and pulls straight up on operating rod. Provides variable flow from trickle to full flow without lock to hold lever.  
**Benefit** - Variable flow with no lock that rusts in place.
- B** **Draw Straps** are made of 1040 hot rolled steel which is much harder (Brinell 175/200) and stronger. Greatly reduces wear of straps and eliminates side pull on operating rod.  
**Benefit** - Longest operating life.
- C** **Stainless Steel Operating Rod\*** is ground and polished and will not cut out packing and packing nut, like brass rod used by other companies.  
**Benefit** - Best material for operating life.
- D** **Fiber Reinforced Thermoplastic Head\*** greatly reduces breakage of brittle cast iron, eliminates machining, painting and corrosion. Provides consistent, precise parts and a long life. Made of Zytel® ST (supertough) by DuPont, one of the "World's Toughest Thermoplastic"  
**Benefit** - Time-proven design takes year of abuse.
- E** **Nozzle on Head\*** has standard 3/4" hose thread molded on the outside and has 3/8" NPT thread molded into the inside, or an optional brass hose adapter is available.  
**Benefit** - Standard hose fitting thread.
- F** **Pivot Connector with Two Nuts\*** provides simple positive adjustment and eliminates unreliable set screws used by other companies.  
**Benefit** - Adjustable for years, not like rusted in set screws.
- G** **Galvanized Pipe** has no exposed threads subject to the weather.  
**Benefit** - No exposed steel on pipe to rust.
- H** **One Piece Plunger** uses double seal design to assure positive shut-off even when foreign particles are present. Plunger positively opens drain to prevent freezing, and positively closes drain even at slow flow rates.  
**Benefit** - Economical design that still opens and closes drain hole.
- I** **Long Life Plunger\*** is molded with ethylene propylene material that is self-lubricating and will not bond to valve body like rubber plunger used by other companies.  
**Benefit** - Longest operating life in one piece design.
- J** **Heavy-Duty Celcon® Valve Body\*** eliminates corrosion in any water condition and provides a long life. Celcon® has been used in similar parts for over 40 years.  
**Benefit** - High water flow with economical design.
- K** **Locking Eye** on head and lever allows hydrant to be padlocked shut when not in use.  
**Benefit** - Protects from wasting of water.
- L** **Swivel Parts\*** permit withdrawal of moving parts without digging up hydrant. Nothing in head assembly to disconnect or adjust when removing, simply unscrew entire head assembly from galvanized pipe and pull up valve stem with plunger for inspection.  
**Benefit** - Very simple repair, easily done at ground level.

\* Exclusive WELL PRO Quality Features

## No Lead Hydrant



Well Pro WMP7504 or 4' Bury Hydrant is about 6' - 8" long. 4' is buried and 32" is above ground.

- A** Lever Control\*
- B** Draw Straps
- C** Stainless Steel Operating Rod\*
- D** Fiber Reinforced Thermoplastic Head\*
- E** Nozzle on Head\*
- F** Pivot Connector with Two Nuts\*
- G** Galvanized Pipe
- H** One Piece Plunger
- I** Long Life Plunger\*
- J** Heavy-Duty Celcon® Valve Body\*
- K** Locking Eye
- L** Swivel Parts\*

\* Exclusive WELL PRO Quality Features

**WM-2000**  
SERIES



**WM-2000**  
SERIES