



SEDIMENT FILTERS

WHOLE HOUSE AND HOT WATER/CHEMICAL RESISTANT

Hot Water/Chemical Resistant Sediment Filters

Parts List

Whole House Sediment Filter Parts

Order No.	Description
O-Ring	Fits both models
W1OR	1" Kit
W1.5OR	1-1/2" Kit
W2OR	2" Kit
Filter Body	
Both Spin-Down and Sediment Trapper	
W1B	1" S x S
W1.5B	1-1/2" S x S
W2B	2" S x S
Filter Cover	
W1C	1" Spin-Down
W1CST	1" Sediment Trapper
W1.5C	1-1/2" Spin-Down
W2C	2" Spin-Down
Flush Valve	
Fits Both Models for Cold Water	
W.5FV	1/2" PVC Ball Valve

Hot Water Chemical Resistant Sediment Filter Parts

Order No.	Description
O-Ring	
W.75OR	3/4" Kit
W1.5OR	1-1/2" Kit
W2OR	2" Kit
Hot Water Filter Body	
Both Spin-Down and Sediment Trapper	
W.75BHT	3/4" S x S
W1.25BHT	1-1/4" S x S
W1.5BHT	1-1/2" S x S
Hot Water Cover	
W.75CHT	3/4" Spin-Down
W.75CSTHT	3/4" Sediment Trapper
W1.25CHT	1-1/4" Spin-Down
W1.5CHT	1-1/2" Spin-Down
Flush Valve	
Fits Both Models for Hot Water	
WPVCBV50	1/2" PVC Ball Valve

Case Quantities all Models - 10 per case
Max. Operating Pressure 150 PSI at 73°F (23°C)



SEDIMENT TRAPPER MODELS

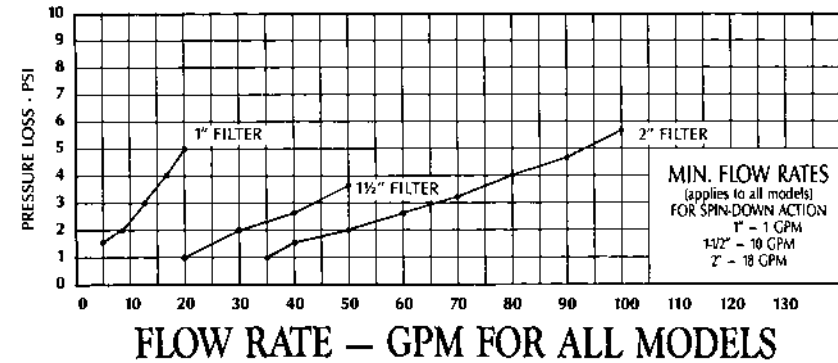
-FILTER ELEMENT 304 STAINLESS STEEL

Order No.	Pipe Size	Mesh Size	Opening Size	Length	Sediment Trapper Replacement Element Order No.
W.75-30STHT-F	3/4"	30	0.021"	14-3/8"	WFS.75-30STHT
W.75-60STHT-F	3/4"	60	0.010"	14-3/8"	WFS.75-60STHT
W.75-100STHT-F	3/4"	100	0.006"	14-3/8"	WFS.75-100STHT
W.75-140STHT-F	3/4"	140	0.004"	14-3/8"	WFS.75-140STHT
W.75-200STHT-F	3/4"	200	0.0029"	14-3/8"	WFS.75-200STHT

SPIN-DOWN MODELS

-FILTER ELEMENT 304 STAINLESS STEEL

Order No.	Pipe Size	Mesh Size	Opening Size	Length	Spin Down Replacement Element Order No.
W.75-30HT-F	3/4"	30	0.021"	11-3/8"	WFS.75-30HT
W.75-60HT-F	3/4"	60	0.010"	11-3/8"	WFS.75-60HT
W.75-100HT-F	3/4"	100	0.006"	11-3/8"	WFS.75-100HT
W.75-140HT-F	3/4"	140	0.004"	11-3/8"	WFS.75-140HT
W.75-200HT-F	3/4"	200	0.0029"	11-3/8"	WFS.75-200HT
W1.25-30HT-F	1-1/4"	30	0.021"	15-3/8"	WFS1.25-30HT
W1.25-60HT-F	1-1/4"	60	0.010"	15-3/8"	WFS1.25-60HT
W1.25-100HT-F	1-1/4"	100	0.006"	15-3/8"	WFS1.25-100HT
W1.25-140HT-F	1-1/4"	140	0.004"	15-3/8"	WFS1.25-140HT
W1.25-200HT-F	1-1/4"	200	0.0029"	15-3/8"	WFS1.25-200HT
W1.5-30HT-F	1-1/2"	30	0.021"	17-7/8"	WFS1.5-30HT
W1.5-60HT-F	1-1/2"	60	0.010"	17-7/8"	WFS1.5-60HT
W1.5-100HT-F	1-1/2"	100	0.006"	17-7/8"	WFS1.5-100HT
W1.5-140HT-F	1-1/2"	140	0.004"	17-7/8"	WFS1.5-140HT
W1.5-200HT-F	1-1/2"	200	0.0029"	17-7/8"	WFS1.5-200HT



The Water Well Products used by PROFESSIONALS



"Simple And Economical, No Cartridges To Replace, Flush Out Sediment"



CONTACT INFO:

Main/International: (712) 732-7354
U.S. and Iowa: (877) 888-7059
Fax: (712) 732-7568
Fax: (800) 269-3569

Well Pro Quality Features

SPIN-DOWN™ MODELS

- Reusable polyester or optional stainless steel filter screens with several mesh sizes available
- Sediment is visible through clear cover and quickly removed by opening ball valve at bottom of filter cover
- Clear cover easily removed for total cleaning (No tools required - use of tools voids warranty, hand tighten only)
- Flow capacity for entire system
- Max. operating pressure 150 psi at 73°F

Body

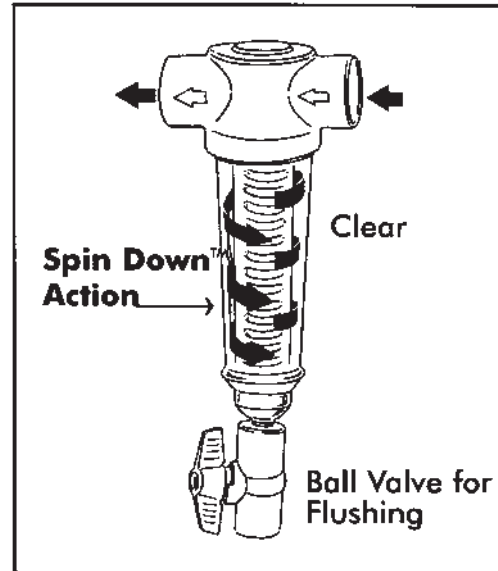
PVC material in 1", 1-1/2", 2" sizes with SLIP x SLIP connections.

Recommended Flow Rates

Pipe Size	Minimum	Maximum
1"	2 gpm	20 gpm
1-1/2"	10 gpm	50 gpm
2"	18 gpm	100 gpm



Whole House Filters



SPIN-DOWN™ MODELS

Order No.	Pipe Size	Mesh Size (or)	Micron Size (or)	Opening Size	Length	Width	*Polyester Replacement Element Order No.	Stainless Steel Replacement Element Order No.
W1-24-F	1"	24	711	0.028"	8-3/8"	5"	WFS1-24	-----
W1-30-F	1"	30	533	0.021"	8-3/8"	5"	WFS1-30	WFS1-30SS
W1-40-F	1"	40	381	0.015"	8-3/8"	5"	WFS1-40	-----
W1-60-F	1"	60	254	0.010"	8-3/8"	5"	WFS1-60	WFS1-60SS
W1-100-F	1"	100	152	0.006"	8-3/8"	5"	WFS1-100	WFS1-100SS
W1-140-F	1"	140	104	0.004"	8-3/8"	5"	WFS1-140	WFS1-140SS
-----	1"	200	74	0.0029"	8-3/8"	5"	-----	WFS1-200SS
W1-250-F	1"	250	61	0.0024"	8-3/8"	5"	WFS1-250	-----
W1.5-24-F	1-1/2"	24	711	0.028"	12"	5-1/2"	WFS1.5-24	-----
W1.5-30-F	1-1/2"	30	533	0.021"	12"	5-1/2"	WFS1.5-30	WFS1.5-30SS
W1.5-40-F	1-1/2"	40	381	0.015"	12"	5-1/2"	WFS1.5-40	-----
W1.5-60-F	1-1/2"	60	254	0.010"	12"	5-1/2"	WFS1.5-60	WFS1.5-60SS
W1.5-100-F	1-1/2"	100	152	0.006"	12"	5-1/2"	WFS1.5-100	WFS1.5-100SS
W1.5-140-F	1-1/2"	140	104	0.004"	12"	5-1/2"	WFS1.5-140	WFS1.5-140SS
-----	1-1/2"	200	74	0.0029"	12"	5-1/2"	-----	WFS1.5-200SS
W1.5-250-F	1-1/2"	250	61	0.0024"	12"	5-1/2"	WFS1.5-250	-----
W2-24-F	2"	24	711	0.028"	15"	6"	WFS2-24	-----
W2-30-F	2"	30	533	0.021"	15"	6"	WFS2-30	WFS2-30SS
W2-40-F	2"	40	381	0.015"	15"	6"	WFS2-40	-----
W2-60-F	2"	60	254	0.010"	15"	6"	WFS2-60	WFS2-60SS
W2-100-F	2"	100	152	0.006"	15"	6"	WFS2-100	WFS2-100SS
W2-140-F	2"	140	104	0.004"	15"	6"	WFS2-140	WFS2-140SS
-----	2"	200	74	0.0029"	15"	6"	-----	WFS2-200SS
W2-250-F	2"	250	61	0.0024"	15"	6"	WFS2-250	-----

*Polyester element is standard - Also available in stainless steel
(No tools required - use of tools voids warranty, hand tighten only)

Whole House Filters



(Polyester filter screen shown)

SEDIMENT TRAPPER MODELS

Order No.	Pipe Size	Mesh Size (or)	Micron Size (or)	Opening Size	Length	Width	*Polyester Replacement Element Order No.	Stainless Steel Replacement Element Order No.
W1-24ST-F	1"	24	711	0.028"	11-1/2"	5"	WFS1-24ST	-----
W1-30ST-F	1"	30	533	0.021"	11-1/2"	5"	WFS1-30ST	WFS1-30STSS
W1-40ST-F	1"	40	381	0.015"	11-1/2"	5"	WFS1-40ST	-----
W1-60ST-F	1"	60	254	0.010"	11-1/2"	5"	WFS1-60ST	WFS1-60STSS
W1-100ST-F	1"	100	152	0.006"	11-1/2"	5"	WFS1-100ST	WFS1-100STSS
W1-140ST-F	1"	140	104	0.004"	11-1/2"	5"	WFS1-140ST	WFS1-140STSS
-----	1"	200	74	0.0029"	11-1/2"	5"	-----	WFS1-200STSS
W1-250ST-F	1"	250	61	0.0024"	11-1/2"	5"	WFS1-250ST	-----
W1.5-24ST-F	1-1/2"	24	711	0.028"	12"	5-1/2"	WFS1.5-24ST	-----
W1.5-30ST-F	1-1/2"	30	533	0.021"	12"	5-1/2"	WFS1.5-30ST	WFS1.5-30STSS
W1.5-40ST-F	1-1/2"	40	381	0.015"	12"	5-1/2"	WFS1.5-40ST	-----
W1.5-60ST-F	1-1/2"	60	254	0.010"	12"	5-1/2"	WFS1.5-60ST	WFS1.5-60STSS
W1.5-100ST-F	1-1/2"	100	152	0.006"	12"	5-1/2"	WFS1.5-100ST	WFS1.5-100STSS
W1.5-140ST-F	1-1/2"	140	104	0.004"	12"	5-1/2"	WFS1.5-140ST	WFS1.5-140STSS
-----	1-1/2"	200	74	0.0029"	12"	5-1/2"	-----	WFS1.5-200STSS
W1.5-250ST-F	1-1/2"	250	61	0.0024"	12"	5-1/2"	WFS1.5-250ST	-----
W2-24ST-F	2"	24	711	0.028"	15"	6"	WFS2-24ST	-----
W2-30ST-F	2"	30	533	0.021"	15"	6"	WFS2-30ST	WFS2-30STSS
W2-40ST-F	2"	40	381	0.015"	15"	6"	WFS2-40ST	-----
W2-60ST-F	2"	60	254	0.010"	15"	6"	WFS2-60ST	WFS2-60STSS
W2-100ST-F	2"	100	152	0.006"	15"	6"	WFS2-100ST	WFS2-100STSS
W2-140ST-F	2"	140	104	0.004"	15"	6"	WFS2-140ST	WFS2-140STSS
-----	2"	200	74	0.0029"	15"	6"	-----	WFS2-200STSS
W2-250ST-F	2"	250	61	0.0024"	15"	6"	WFS2-250ST	-----

*Polyester element is standard - Also available in stainless steel
(No tools required - use of tools voids warranty, hand tighten only)

Well Pro Quality Features

SEDIMENT TRAPPER MODELS

- Larger reservoir for more sediment
- Centrifuge spin-down type sediment separation
- Unique element design traps sediment in lower reservoir of clear cover
- Reusable polyester or optional stainless steel filter screens with several mesh sizes available
- Sediment is visible through clear cover and quickly removed by opening ball valve at bottom of filter cover
- Clear cover easily removed for total cleaning (No tools required - use of tools voids warranty, hand tighten only)
- Flow capacity for entire system
- Max. operating pressure 150 psi at 73°F

Body

PVC material in 1", 1-1/2", 2" sizes with SLIP x SLIP connections.

Recommended Flow Rates

Pipe Size	Minimum	Maximum
1"	2 gpm	20 gpm
1-1/2"	10 gpm	50 gpm
2"	18 gpm	100 gpm

**WHOLE HOUSE SEDIMENT FILTERS
SPIN-DOWN MODEL**



**WHOLE HOUSE SEDIMENT FILTERS
SEDIMENT TRAPPER MODEL**

